

## G15E (Plastic Lever) Series

### Ultraminiature Micro Switch



#### ■ Features

- ◆ Small compact size, it can be used in places requiring high space utilization
- ◆ High precision shrapnel structure
- ◆ Momentary contact structure

#### ■ Application

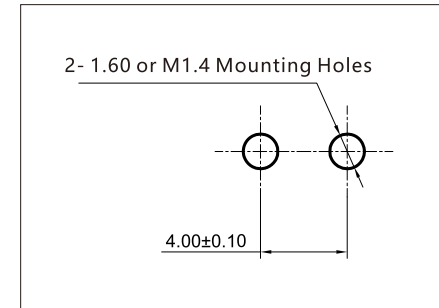
- ◆ Car
- ◆ Air-Conditioner
- ◆ Communication

#### ■ Parameters

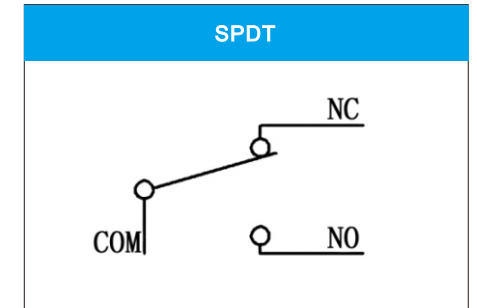
Rating		1A/15VDC
Operating Frequency	Electrical	20 cycles/min
	Mechanical	60 cycles/min
Contact Resistance (Initial Value)		100mΩ Max.
Insulation Resistance (at 500VDC)		100MΩ Min.
Dielectric Strength		500VAC 50~60Hz for 1 Min
Operating Temperature		-40°C~+85°C
Operating Humidity		85% RH Max.
Service Life	Electrical	10,000 cycles
	Mechanical	300,000 cycles

G15E	Switch Type	G15 Series Ultra-miniature Micro Switch			
01	Rating	01	1A 15VDC		
15	Operating Force	15	With lever 15gf Max		
P	Terminal Style	P	Standard PCB Terminals	D	Long PCB Terminals
01	Lever Type	01	01# Lever	02	01# Lever
W	Base Color	W	White Color		
Au	Contact Material	Au	Cold Plated		
T001	Custom Code		General	Customized according to requirements. T0 the code 01 format is T+ serial number XXX for example: T001	
				...	Other

## ■ Mounting Hole Dimensions



## ■ Circuit Configuration

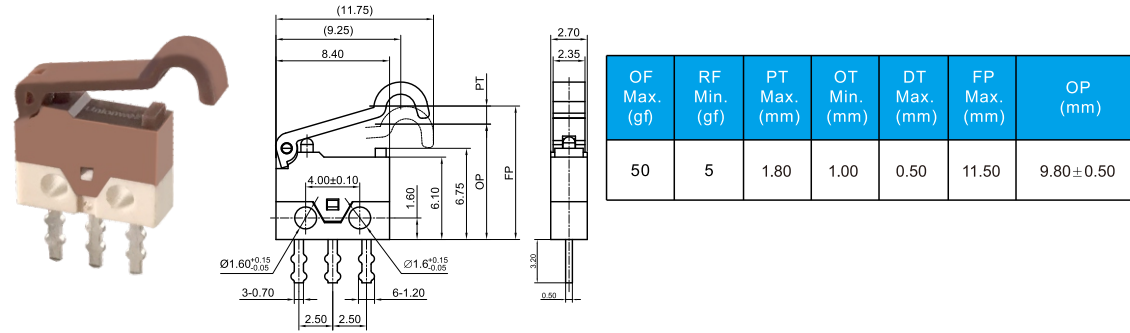


## ■ Terminal Style

P: Standard PCB Terminals	D: Long PCB Terminals
L: Left Side PCB Terminals	R: Right Side PCB Terminals

## ■ Dimensions and Operating Characteristics

### ◆ G15E01-15P02WAuU



### ◆ G15E01-150P01WAuU

