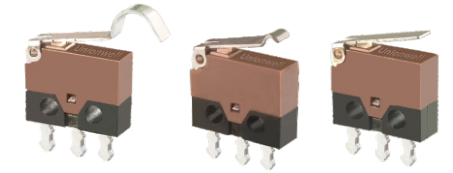


## G15D (Metal Lever) Series

Ultraminiature Micro Switch



### ■ Features

- ◆ Compact size and structure, available in places requiring high space utilization
- ◆ High precision shrapnel structure
- ◆ Instantaneous contact construction

### ■ Application

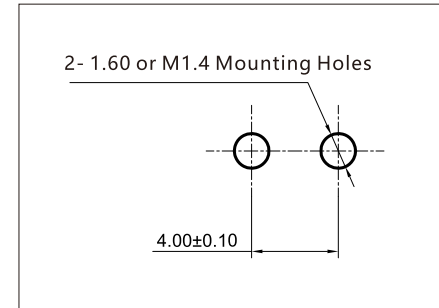
- ◆ Car
- ◆ Air-Conditioner
- ◆ Communication

### ■ Parameters

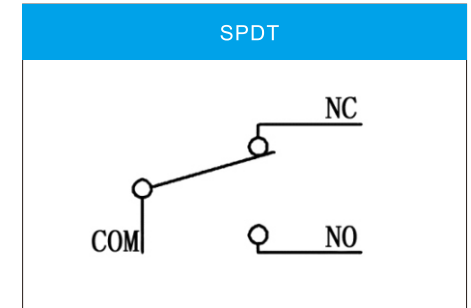
Rating		1A/15VDC
Operating Frequency	Electrical	20 cycles/min
	Mechanical	60 cycles/min
Contact Resistance (Initial Value)		100mΩ Max.
Insulation Resistance (at 500VDC)		100MΩ Min.
Dielectric Strength		500VAC 50~60Hz for 1 Min
Operating Temperature		-40°C~+85°C
Operating Humidity		85% RH Max.
Service Life	Electrical	10,000 cycles
	Mechanical	300,000 cycles

G15D	Switch Type	G15D Series Subminiature Micro Switch	
01	Electrical Rating	01	1A 15VDC
15	Operating Force	15	60gf Max. (Without lever) 15gf Max. (With lever)
P	Terminal Style	P	Standard PCB Terminals P Long PCB Terminals P Left Side PCB Terminals P Right Side PCB Terminals
00	Lever Type	00	No Lever Pin Plunger 00 03# Lever 00 04# Lever 00 06# Lever
W	Base Color	W	White Color
Au	Contact Material	Au	Gold Plated
T001	Custom Code	General	Customized according to requirements. TO the code format is T+ serial number XXX for example:T001 ... Other
U	LOGO	U	Unionwell ... Other

## ■ Mounting Hole Dimensions



## ■ Circuitry Configuration

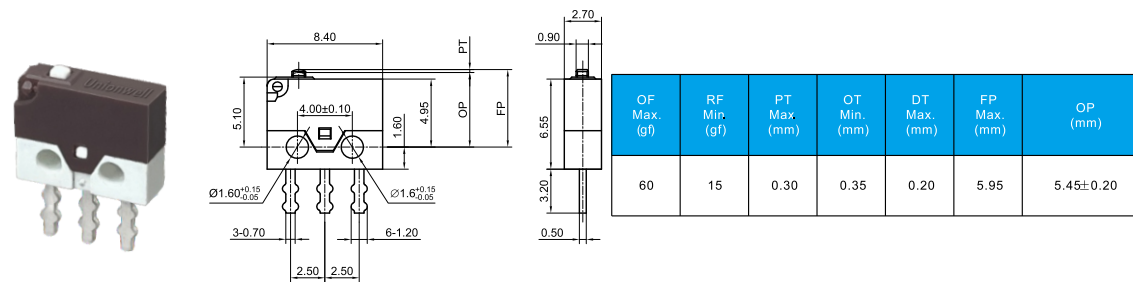


## ■ Terminal Style

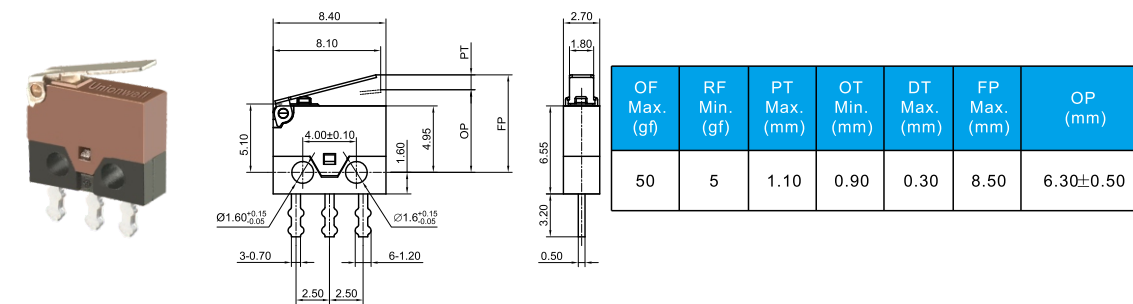
P: Standard PCB Terminals	D: Long PCB Terminals
L: Left Side PCB Terminals	R: Right Side PCB Terminals

## ■ Dimensions and Operating Characteristics

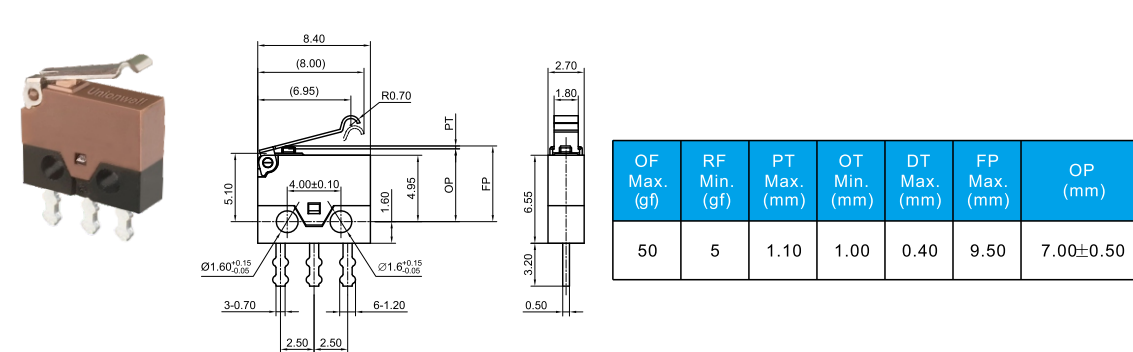
### ◆ G15D01-60P00WAuU



### ◆ G15D01-15P03WAuU



### ◆ G15D01-15P04WAuU



### ◆ G15D01-15P06WAuU

