



## G303A/B Series

### Sealed Subminiature Micro Switch



#### Features

- ◆ Designed for water and dust tight (IP67)
- ◆ Small compact size
- ◆ Global safety approvals, customized designs
- ◆ Long life and high reliability
- ◆ Wide range of wiring terminals
- ◆ Variety of levers
- ◆ Variety of shapes
- ◆ Widely used in automotive electronics, appliance and industrial control

#### Application

- ◆ Car
- ◆ Air-Conditioner
- ◆ Communication
- ◆ Electric Toothbrush
- ◆ Toys
- ◆ Bicycle

#### Parameters

Rating	0.1A/125VAC; 3A/12VDC; 0.1A/250VAC; 0.1A/48VDC $\mu$ 1E5.	
Operating Frequency	Electrical	0.1A-120 cycles/min; 3A-10~30 cycles/min
	Mechanical	120 cycles/min
Contact Resistance(Initiative)	100m $\Omega$ Max	
Insulation Resistance(at 500VDC)	100M $\Omega$ Min	
Vibration Durability	10~55Hz, move0.75mm (p-p)	
Dielectric Strength	500VAC (50~60Hz)	
Operating Temperature	-40°C~+85°C	
Operating Humidity	85%RH Max	
Service Life	Electrical	Min.100,000 cycles
	Mechanical	Min.500,000 cycles

#### Switch IP Rated

G303A IP67



G303B IP40



### G303A/B Series Micro Switch Ordering Instruction

G3	03	A	180	K	00	A
Switch Type	Electrical Rating	Degree of Protection	Operating Force at Pin Plunger, Max	Terminal Style	Lever Type	Circuitry
G3 Series micro switch	03 0.1A 125/250VAC 48VDC 3A 12VDC $\mu$ 1E5	A IP67	180 180gf Max Only for IP67	E Molded lead wires downwards	00 No lever pin plunger	A SPDT
		B IP40	130 130gf Max Only for IP40	G Molded lead wires on left side (plunger side)	03 03# Straight lever Only for IP67	B SPST-NC
				F Molded lead wires on right side (away from the plunger side)	38 38# Lever Only for IP67	C SPST-NO
				K Long solder terminals	...	Other
				I Big solder terminals (Terminal aperture 1.8mm)		
				P Straight PCB terminals (0.9mm width)		
				R Right side PCB terminals		
				L Left side PCB terminals		
				J Long straight PCB terminals		
				C 2# Long solder terminals		
				D 2# Straight PCB terminals (0.6mm width)		
				S Solder terminals		
				...		Other

20	A	E	A	280	T001	U
Shape and Posts	Posts Dimension	AWG Type (for Wire Type Only)	AWG Number (for Wire Type Only)	Wires Length	Custom Code	LOGO
20 Waterproof two sides posts	A No post	No molded lead wires	No molded lead wires	300mm Length standard lead wires	General	U Unionwell
21 C2 Type no post	B $\Phi 2.95\text{mm} \times 5.0\text{mm}$ posts	E Only available on molded lead down types	A UL1007	280 280mm Length	Customized according to requirements, the code format is T+serial number XXX, for example: T001	... Other
22 C2 Type left posts	C $\Phi 2.95\text{mm} \times 1.5\text{mm}$ posts	F 22#	F AVSS	... Other		
23 C2 Type right posts	D $\Phi 2.95\text{mm} \times 2.5\text{mm}$ posts	G 24#	L FLRY-A	... Other	... Other	... Other
24 Dustproof no post		... Other	... Other			
25 D2 Type left side posts	... Other					
26 D2 Type right side posts						
27 D2 Type two side posts						
... Other						

Terminal Type

E type: molded lead wires downward	I type: big Solder terminals	G type: molded lead wires on left side (plunger side)
P type: 0.9mm width PCB terminals	K type: long solder terminals	F type: molded lead wires on right side (away from the plunger side)
J type: long straight PCB terminals	C type: 2# long solder terminals	D type: 0.6mm width straight PCB terminals

Lever Type

03# lever	38# lever

■ Posts Dimension

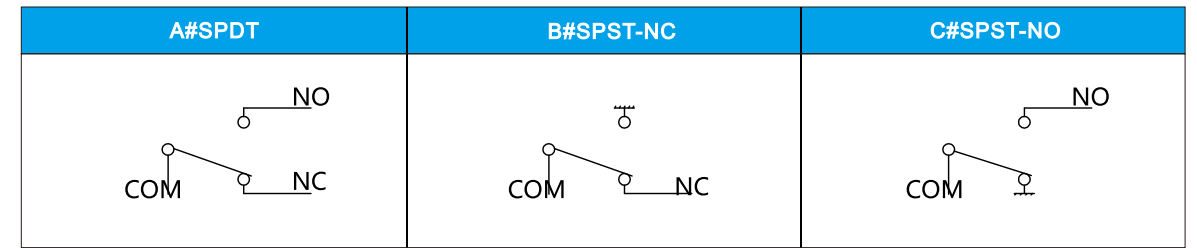
**A#: No post**

**B#:  $\Phi$  2.95x5.0mm posts**

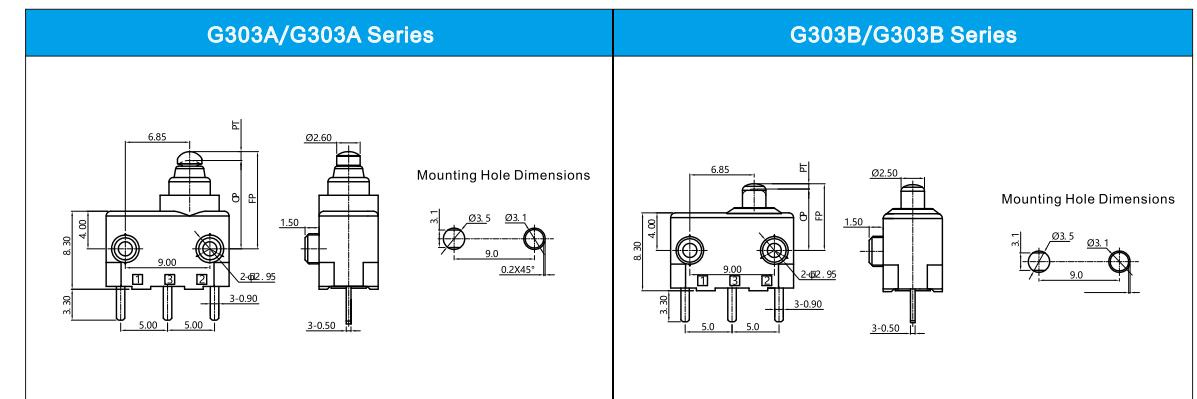
**C#:  $\Phi$  2.95x1.5mm posts**

**D#:  $\Phi$  2.95x2.5mm posts**

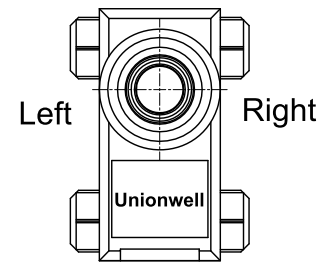
■ Contact Configuration



■ Mounting Hole and Operating Characteristics

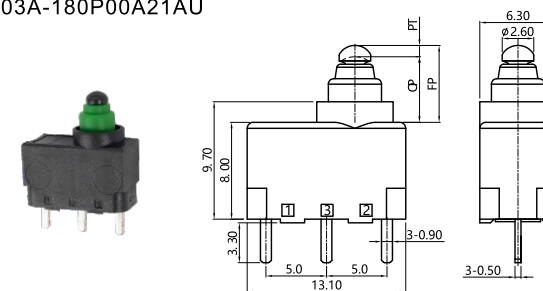


■ Posts Direction Define



■ Dimensions and Operating Characteristics

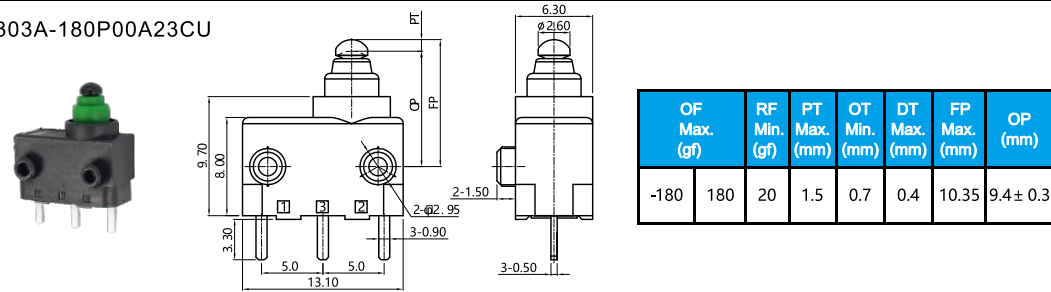
◆ G303A-180P00A21AU



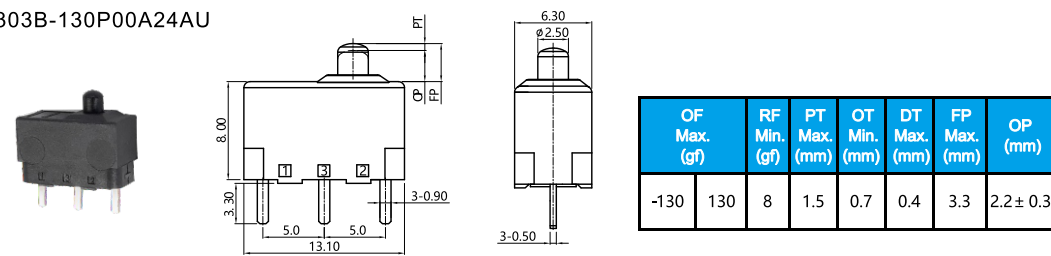
OF Max. (gf)	RF Min. (gf)	PT Max. (mm)	OT Min. (mm)	DT Max. (mm)	FP Max. (mm)	OP (mm)
-180	180	20	1.5	0.7	0.4	6.35
						5.4±0.3

## Dimensions and Operating Characteristics

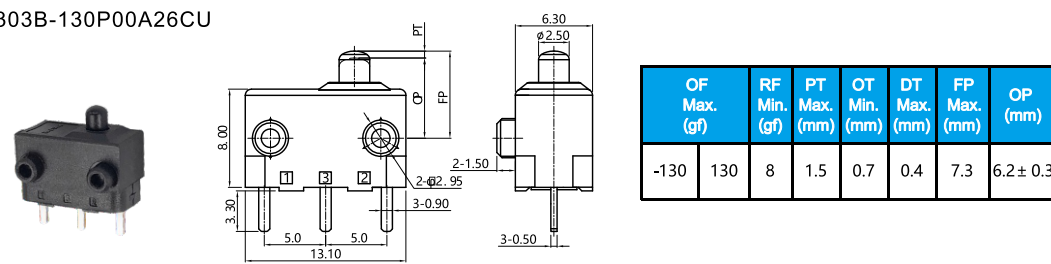
◆ G303A-180P00A23CU



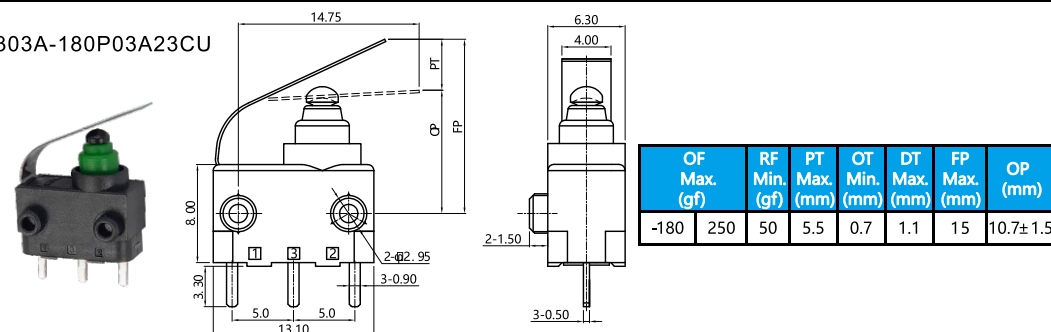
◆ G303B-130P00A24AU



◆ G303B-130P00A26CU



◆ G303A-180P03A23CU



◆ G303A-180P38A23CU

