

G304 (F-Type)

Sealed Clip Type Subminiature Micro Switch



■ Features

- ◆ Designed for water and dust tight (IP67)
- ◆ Small compact size
- ◆ Long life and high reliability
- ◆ Variety of levers
- ◆ Wide range of wiring terminals
- ◆ Widely used in automotive electronics, appliances and industrial control etc.
- ◆ Customized designs
- ◆ Slide structure
- ◆ Non short circuit conversion

■ Application

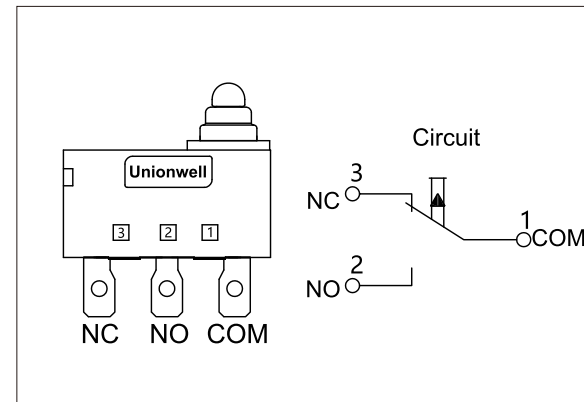
- ◆ Car
- ◆ Air-conditioner
- ◆ Communication
- ◆ Electric toothbrush
- ◆ Toys

■ Parameters

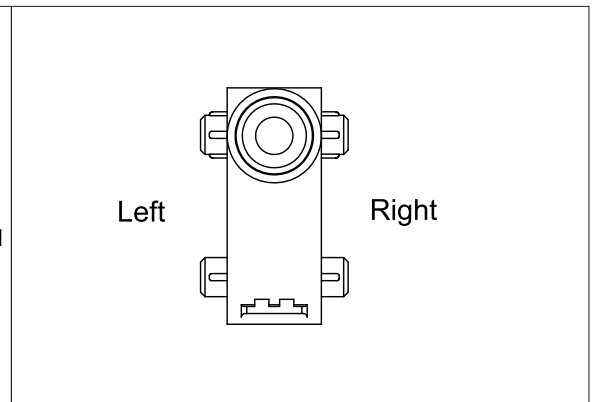
Operation Speed		1~500mm/s
Operating Frequency		120 cycles/min.
Insulation Resistance		≥100MΩ
Contact Resistance (Initial Value)	With terminals type	≤100mΩ
	With wires type	≤500mΩ (Standard wire length 300mm)
Voltage Resistance	Between terminals	AC500V, 50/60Hz, 1min.
	Between terminals and uncharged metal parts	AC1000V, 50/60Hz, 1min.
Vibration	No transformation action	10-55Hz (Double amplitude 1.5mm)
Service Life	Electrical	300,000 cycles (15 cycles/min.) DC12V 0.1A DC3V 50μA
	Mechanical	300,000 cycles (30 cycles/min.)
Protection Level		IEC IP67 (Except terminals)
Operating Temperature		-40~+85°C 60%RH Max. (No icing, no condensation)
Operating Humidity		95%RH Max. (+5~+35°C)

G3	Switch Type	G3 Series-Micro Switch	
04F	Electrical Rating	0.1A 12VDC 50μA 3VDC	04F ...
150	Operating Force at Pin Plunger	80gf Max.	80 150gf Max. ...
P	Terminal Type	Straight PCB Connect F Type (0.6mm Wide)	P K W ...
00	Lever Type	No Lever Pin Plunger	00 26 08 ...
E	Circuitry	Slide Non-Short Circuit Type, 1, 3 Convert to 1, 2 SPDT	D G B C ...
39	Shape and Posts	F Type W/O Posts	35 36 37 38 46 ...
G	Post Dimension	Standard Posts: 2.60mmx1.5mm	G H I K ...
T001	Custom Code	General	T0 01 ...
U	LOGO	Unionwell	U Other ...

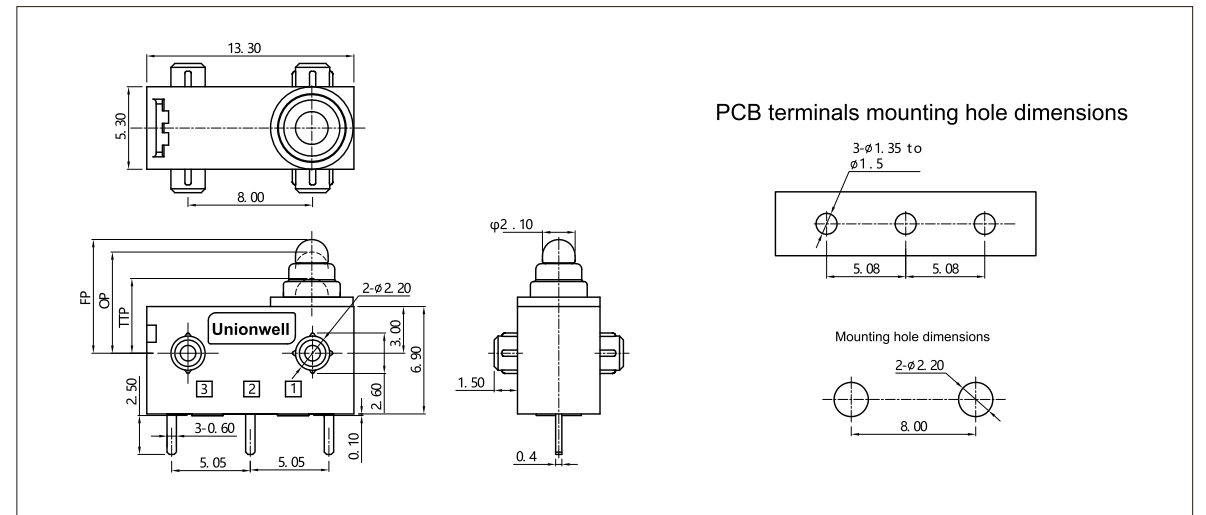
■ Circuit



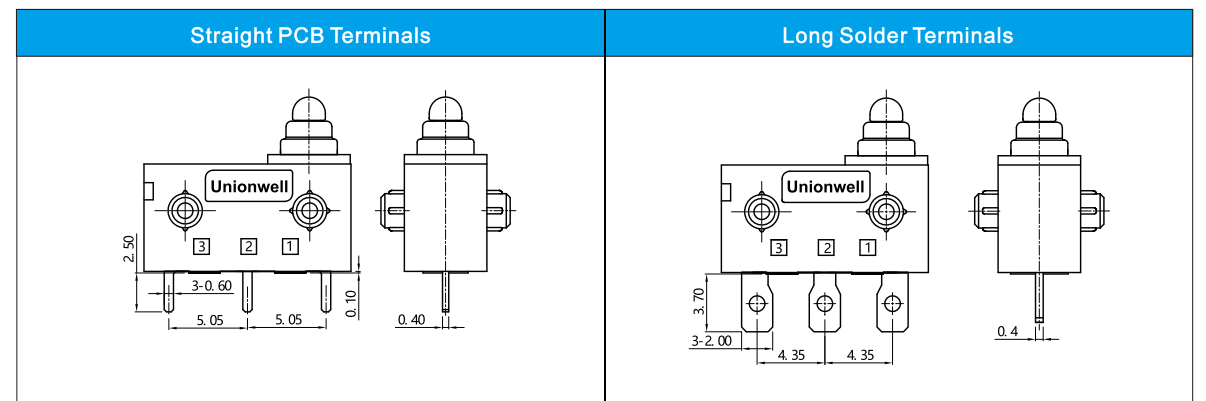
■ Posts Direction Define



■ Basic Mounting Dimensions and Operating Characteristics



■ Switch Terminals Type (Can be customized)



Unionwell

Switch Terminals Type (Can be customized)

Short Right Side PCB Terminals

PCB terminals mounting hole dimensions

3- ϕ 1.35 to ϕ 1.5
3.95 3.95

Posts Type

F Type: ϕ 2.60mm x 1.5mm Right Posts	F Type: ϕ 2.60mm x 1.5mm Left Posts
Standard Type: ϕ 2.60mm x 5.0mm Standard Posts	Posts W/O

Unionwell

Dimensions and Operating Characteristics

◆ G304F-150W26D46U

OF Max (gf)	TTP Min (mm)	FP Max (mm)	OP (mm)
300	6.6	9.8	8.6 ^{+0.5} _{-0.35}

◆ G304F-150P00D36GU

OF Max (gf)	TTP Min (mm)	FP Max (mm)	OP1 (mm)	OP2 (mm)
150	4.8	7.9	6.8 \pm 0.3	6.5 \pm 0.3