

G304E Series

Sealed Clip Type Subminiature Micro Switch



■ Features

- ◆ Designed for water and dust tight (IP67)
- ◆ Small compact size
- ◆ Long life and high reliability
- ◆ Wide range of wiring terminals
- ◆ Widely used in automotive electronics, appliances and industrial control etc.
- ◆ Customized designs
- ◆ Slide structure
- ◆ Non short circuit conversion

■ Application

- ◆ Car
- ◆ Air-conditioner
- ◆ Communication
- ◆ Electric toothbrush
- ◆ Toys

■ Parameters:

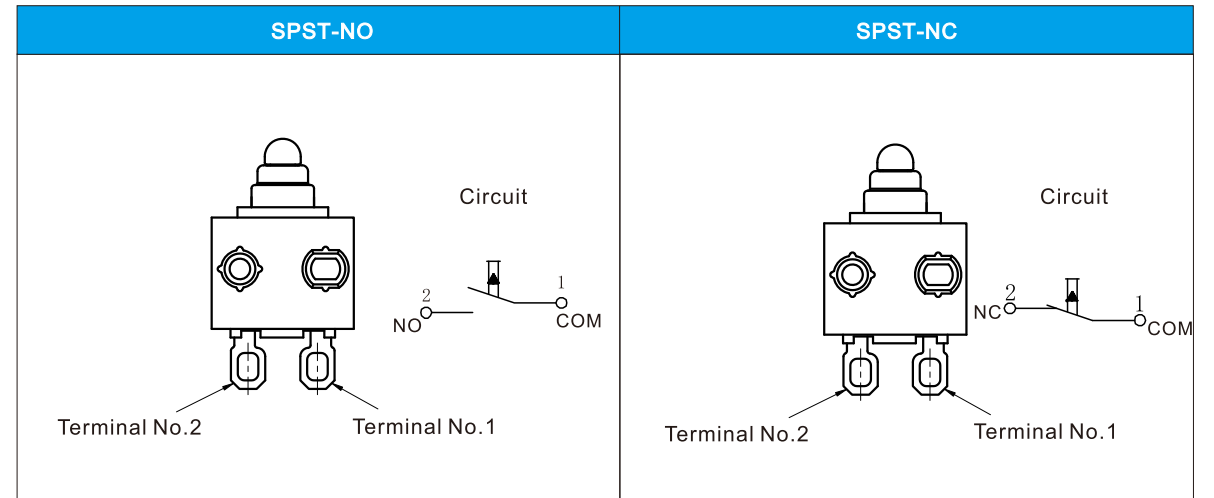
| | | |
|------------------------------------|--|--|
| Operation Speed | | 1~500mm/s |
| Operation Frequency | | 120 cycles/min. |
| Insulation Resistance | | ≥100MΩ |
| Contact Resistance (Initial Value) | With terminals type | ≤100mΩ |
| | With wire type | ≤500mΩ (Standard wire length 300mm) |
| Voltage Resistance | Between terminals | AC500V, 50/60Hz, 1min. |
| | Between each terminal and the non-electrical metal parts | AC1,000V, 50/60Hz, 1min. |
| Operating Life | Electrical | 300,000 cycles (15 cycles/min.) DC12V 01A 5VDC 50μA |
| | Mechanical | 300,000 cycles (30 cycles/min.) |
| Operating Temperature | | -40~+85°C 60%RH(No icing, no condensation) |
| Operating Humidity | | 95%RH (+5~+35°C) |
| Vibration | Malfunction | 10-55Hz (Double amplitude 1.5mm) |

G304E Series Micro Switch Ordering Instruction

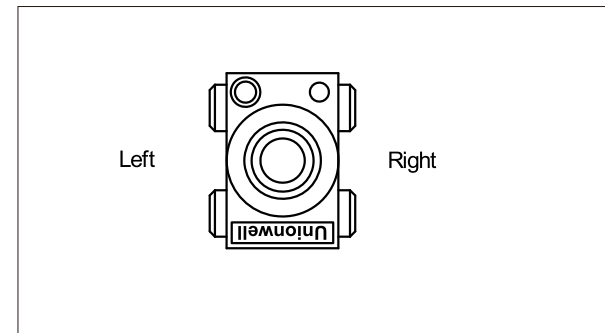
| | | | | | |
|-----|------------------------------------|---|--------------------------------|------------------------------|------------------------|
| G3 | Switch Type | G3 Series Micro Switch | | | |
| 04E | Electrical Rating | 0.1A 12VDC 50μA 3VDC | Other | | |
| 150 | Max Operating Force at Pin Plunger | 80 80gf Max. | 150 150gf Max. | Other | |
| U | Terminal Type | 6# Straight PCB Terminals | Solder Terminals 6# 7# | Short Solder Terminals 6# 7# | Straight PCB Terminals |
| | | Left-Angled PCB Terminals with Two Pins | Solder Terminals with Two Pins | Short Solder Terminals | Straight PCB Terminals |
| 00 | Lever Type | No Lever Pin Plunger | Other | | |
| E | Circuit Code | E Slide Type, SPST-NO 1, 2 | F Slide Type, SPST-NC 1, 2 | Other | |
| 39 | Shape and Posts | 39 G type No Post | 40 G Type Left Posts | 41 G Type Right Posts | Other |
| | | | | | ... |
| | | | | | Other |

| | | | | | | | | | | |
|------|---------------------------------|-------------------------------------|---|-----------------------------|-------------------|--------|-------|--------|--------|-------|
| U | LOGO | Unionwell | Other | | | | | | | |
| | | U | ... | | | | | | | |
| T001 | Custom Code | General | Customized according to requirements, the code format is T+ serial number XXX for example: T001 | | | | | | | |
| | | T001 | ... | | | | | | | |
| B | Type of Wires Outline | Molded Lead Wires on Left Side | Molded Lead Wires on Left Side | Molded Lead Wires on Bottom | Other | | | | | |
| | | B | C | E | F | | | | | |
| | | 300mm Length Standard Lead | 280mm Length | Other | | | | | | |
| | | 300 | 280 | F | | | | | | |
| 280 | Wires Length | No Molded Lead Wires | UL1007 | UL1430 | UL1061 | UL1330 | AVSS | UL1332 | UL3132 | Other |
| | | A | C | D | E | F | H | G | | |
| A | AWG Number (For Wire Type Only) | No Molded Lead Wires | 22# | 24# | 26# | 28# | Other | | | |
| | | F | G | H | I | ... | | | | |
| G | AWG Type (For Wire Type Only) | No Molded Lead Wires | 22# | 24# | 26# | 28# | Other | | | |
| | | F | G | H | I | ... | | | | |
| | Posts Dimension | G Type Standard Posts: 2.60mmx5.0mm | Φ2.6X1.5mm Posts. | Φ2.6X2.0mm Posts. | Φ2.2X0.8mm Posts. | Other | | | | |
| | | G | H | I | ... | | | | | |

■ Circuit



■ Post Direction



■ Basic Mounting Dimensions and Operating Characteristics

