

## G12 Series

### Large Basic Limit Switch



#### ■ Features

- ◆ Housing is made of high temperature resistant phenolic plastic
- ◆ Sensitive differential travel
- ◆ Precise operation repeatability
- ◆ Long mechanical life
- ◆ ENEC/UL/cUL/CQC approved

#### ■ Application

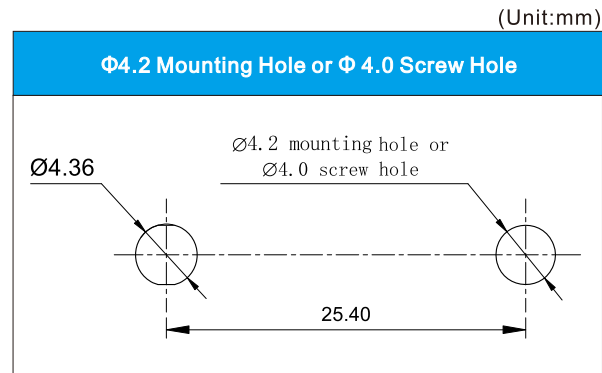
- ◆ Machine tools
- ◆ Elevators
- ◆ Auto production line
- ◆ Civilian, industrial machinery field
- ◆ Any automation application in the automation field

#### ■ Parameters

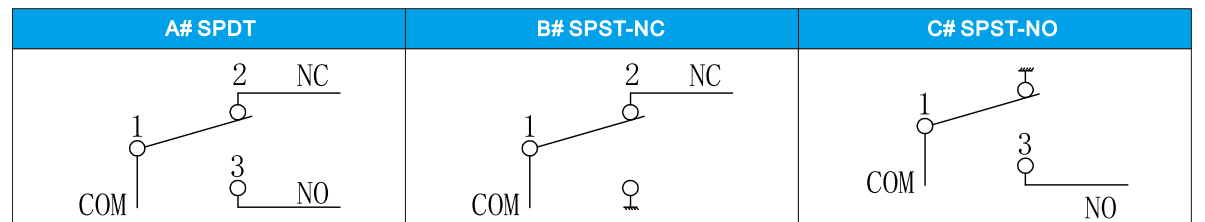
Rating	16A	ENEC/CQC 16A 125/250VAC 10A 30VDC  UL/cUL 16A 125/250/480VAC 1/8HP 125VAC 1/4HP 250VAC 0.5A 125VDC 0.25A 250VDC
	22A	ENEC/CQC 22A 125/250VAC  UL/cUL 22A 125/250/480VAC 1/4HP 125VAC 1/2HP 250VAC
	26A	ENEC/CQC 26A 125/250VAC  UL/cUL 26A 125/250/480VAC 1/2HP 125VAC 1HP 250VAC
Operating Frequency	Electrical	10~30 cycles/min.
	Mechanical	240 cycles/min.
Contact Resistance (Initial Value)		50mΩ Max.
Insulation Resistance		100MΩ Min.
Dielectric Strength	Between Terminals	1500VAC 50/60Hz 1min.
	Between Terminals and Housing	2500VAC 50/60Hz 1min.
Operating Temperature		-40°C~ +80°C
Operating Humidity		85%RH Max.
Service Life	Electrical	50,000 cycles
	Mechanical	200,000 cycles

<b>G12</b>	<b>Switch Type</b>	G12 Series Micro Switch		
<b>16</b>	<b>Electrical Rating</b>	ENEC/CQC: 16A 125/250VAC, 10A 30VDC, 40T80 $\mu$ 5E4, UL/cUL 16 16A 125/250/480VAC, 1/8HP 125VAC, 1/4HP 250VAC, 0.5A 125VDC, 0.25A 250VDC		
<b>1</b>	<b>Protection Type</b>	1 General Type		
<b>R1</b>	<b>Lever Type</b>	<b>R1</b> Pin Plunger	<b>RD1</b> Spring Pin Plunger	<b>RQ1</b> Panel Mounting Plunger
<b>A</b>	<b>Circuitry</b>	<b>A</b> SPDT	<b>B</b> SPST-NC	<b>C</b> SPST-NO
<b>A</b>	<b>Terminal Type</b>	A Screw Terminals		
<b>T001</b>	<b>Custom Code</b>	General	Customized according to requirements, the code format is T+serial numberXXX, for example: T001	
<b>U</b>	<b>LOGO</b>	Unionwell	Other	

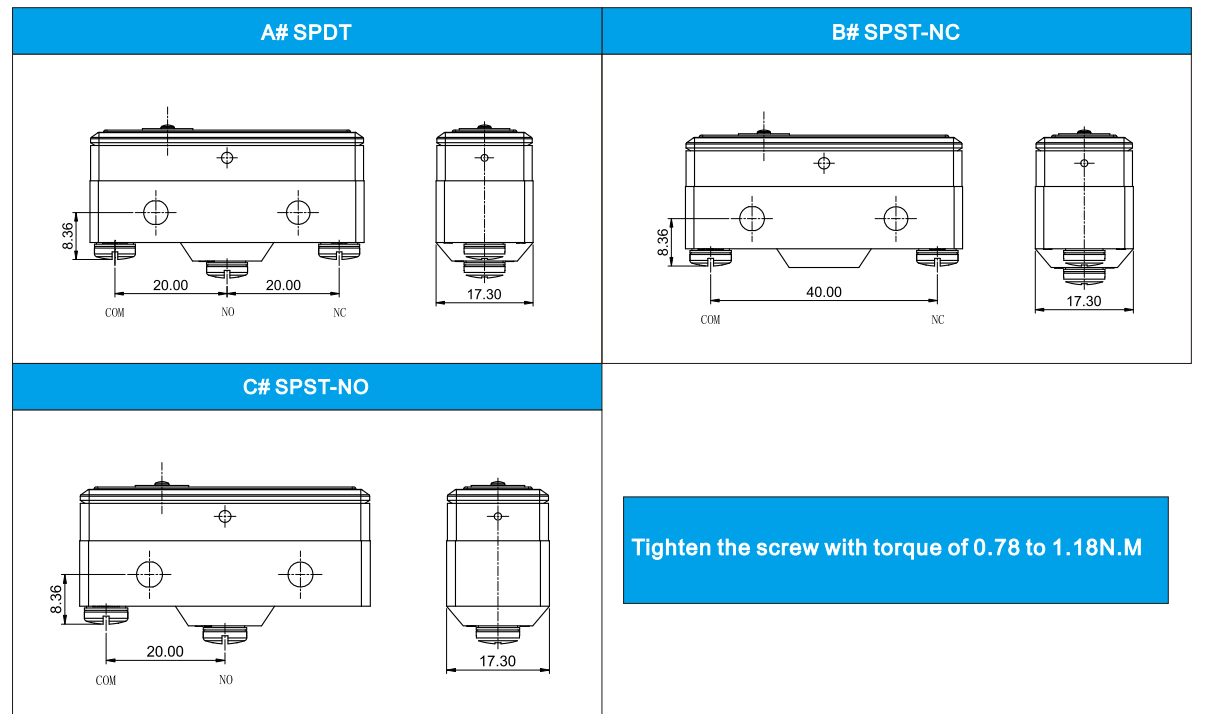
■ Mounting Hole Dimensions



■ Circuit Configuration

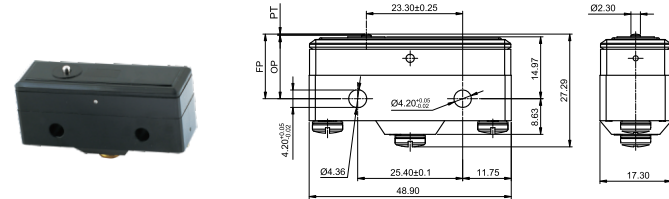


■ Terminal Type and Dimensions



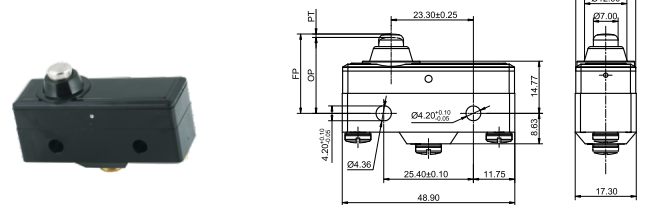
■ Dimensions and Operating Characteristics

◆ G12□□-1R1□□-□□



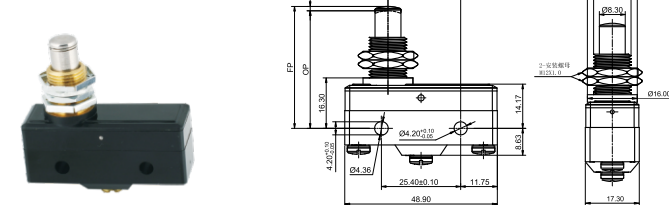
	OF Max. (gf)	RF Min. (gf)	PT Max. (mm)	OT Min. (mm)	DT Max. (mm)	FP Max. (mm)	OP (mm)
G1216	450	115	0.8	0.10	0.20	17.00	15.9±0.60
G1222	700	115	0.8	0.10	0.20	17.00	15.9±0.60
G1226	700	115	0.8	0.10	0.20	17.00	15.9±0.60

◆ G12□□-1RD1□□-□□



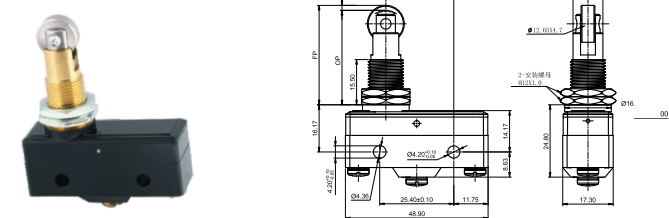
	OF Max. (gf)	RF Min. (gf)	PT Max. (mm)	OT Min. (mm)	DT Max. (mm)	FP Max. (mm)	OP (mm)
G1216	450	115	0.80	1.50	0.20	22.50	21.5±0.80
G1222	700	115	0.80	1.50	0.20	22.50	21.5±0.80
G1226	700	115	0.80	1.50	0.20	22.50	21.5±0.80

◆ G12□□-1RQ1□□-□□



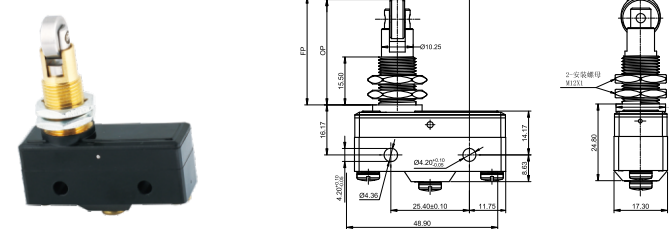
	OF Max. (gf)	RF Min. (gf)	PT Max. (mm)	OT Min. (mm)	DT Max. (mm)	FP Max. (mm)	OP (mm)
G1216	450	115	0.80	5.50	0.20	23.00	21.8±1.00
G1222	700	115	0.80	5.50	0.20	23.00	21.8±1.00
G1226	700	115	0.80	5.50	0.20	23.00	21.8±1.00

◆ G12□□-1RQ2□□-□□



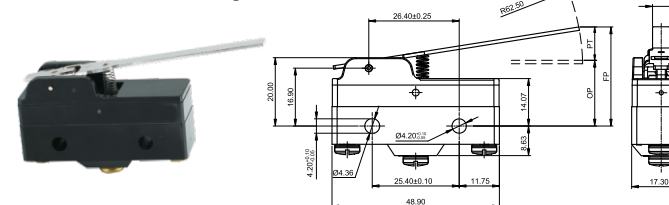
	OF Max. (gf)	RF Min. (gf)	PT Max. (mm)	OT Min. (mm)	DT Max. (mm)	FP Max. (mm)	OP (mm)
G1216	450	115	0.80	3.50	0.20	35.00	33.40±1.50
G1222	700	115	0.80	3.50	0.20	35.00	33.40±1.50
G1226	700	115	0.80	3.50	0.20	35.00	33.40±1.50

◆ G12□□-1RQ3□□-□□



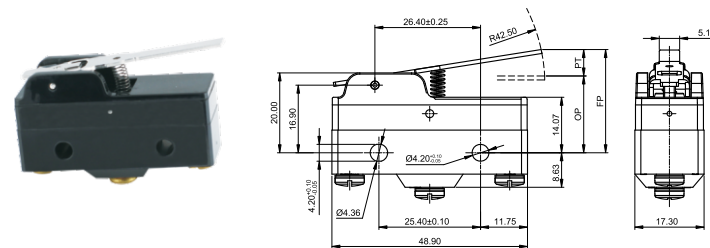
	OF Max. (gf)	RF Min. (gf)	PT Max. (mm)	OT Min. (mm)	DT Max. (mm)	FP Max. (mm)	OP (mm)
G1216	450	115	0.80	3.50	0.20	35.00	33.40±1.50
G1222	700	115	0.80	3.50	0.20	35.00	33.40±1.50
G1226	700	115	0.80	3.50	0.20	35.00	33.40±1.50

◆ G12□□-1RW1□□-□□



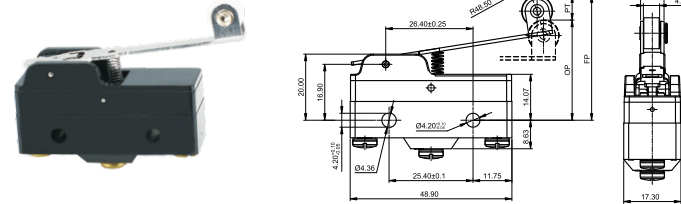
	OF Max. (gf)	RF Min. (gf)	PT Max. (mm)	OT Min. (mm)	DT Max. (mm)	FP Max. (mm)	OP (mm)
G1216	85	14	12.00	5.60	2.00	29.50	19.00±3.00
G1222	135	14	12.00	5.60	2.00	29.50	19.00±3.00
G1226	135	14	12.00	5.60	2.00	29.50	19.00±3.00

◆ G12□□-1RW3□□-□□



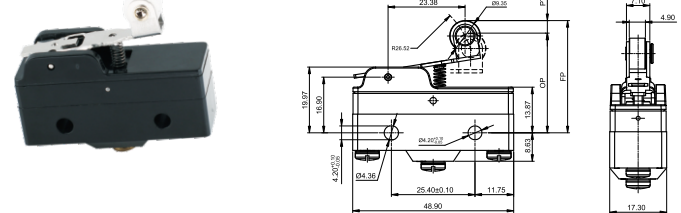
	OF Max. (gf)	RF Min. (gf)	PT Max. (mm)	OT Min. (mm)	DT Max. (mm)	FP Max. (mm)	OP (mm)
G1216	130	20	7.50	3.50	1.00	25.50	19.00±2.50
G1222	205	20	7.50	3.50	1.00	25.50	19.00±2.50
G1226	205	20	7.50	3.50	1.00	25.50	19.00±2.50

◆ G12□□-1RW3□□-□□



	OF Max. (gf)	RF Min. (gf)	PT Max. (mm)	OT Min. (mm)	DT Max. (mm)	FP Max. (mm)	OP (mm)
G1216	120	20	8.50	4.00	1.20	37.50	30.20±3.00
G1222	190	20	8.50	4.00	1.20	37.50	30.20±3.00
G1226	190	20	8.50	4.00	1.20	37.50	30.20±3.00

◆ G12□□-1RW4□□-□□



	OF Max. (gf)	RF Min. (gf)	PT Max. (mm)	OT Min. (mm)	DT Max. (mm)	FP Max. (mm)	OP (mm)
G1216	195	40	4.00	2.40	1.00	33.50	30.20±1.50
G1222	305	40	4.00	2.40	1.00	33.50	30.20±1.50
G1226	305	40	4.00	2.40	1.00	33.50	30.20±1.50