

G304G Mini Sealed Micro Switch



■ Features

- Designed For Water and Dust Tight(IP67)
- Small Compact Size
- Long Life and High Reliability
- Variety of Levers
- Wide Range of Wiring Terminals
- Widely used in Automotive Electronics,Appliance and Industrial Control etc.
- Customized Designs
- Slide Structure
- Non Short Circuit Conversion

■ Application

- ◆Car
- ◆Air-Conditioner
- ◆Communication
- ◆Electric Tooth Brush
- ◆Toys

■ Parameters

Operation Speed		1~500mm/s
Operating Frequency		120 cycles/min
Insulation Resistance		≥100mΩ (DC500V)
Contact Resistance (Initial Value)	with terminals type	≤100mΩ
	with wire type	≤500mΩ(300mm)
Voltage Resistance	Between terminals	AC500V,50/60Hz,1min.
	Between terminals and uncharged metal parts	AC1000V,50/60Hz,1min.
Vibration	No transformation action	10-55Hz
Service Life	Electrical	300000 cycles(20 cycles/min) 0.1A 12VDC 50 μA 3VDC
	Mechanical	300,000 cycles (30cycles/min)
Protection Level		IEC IP67
Storage Temperature		-40°C~+85°C 60%RH
Storage Humidity		95%RH (+5°C~+35°C)

G304G-Type Series Micro Switch Ordering Instruction

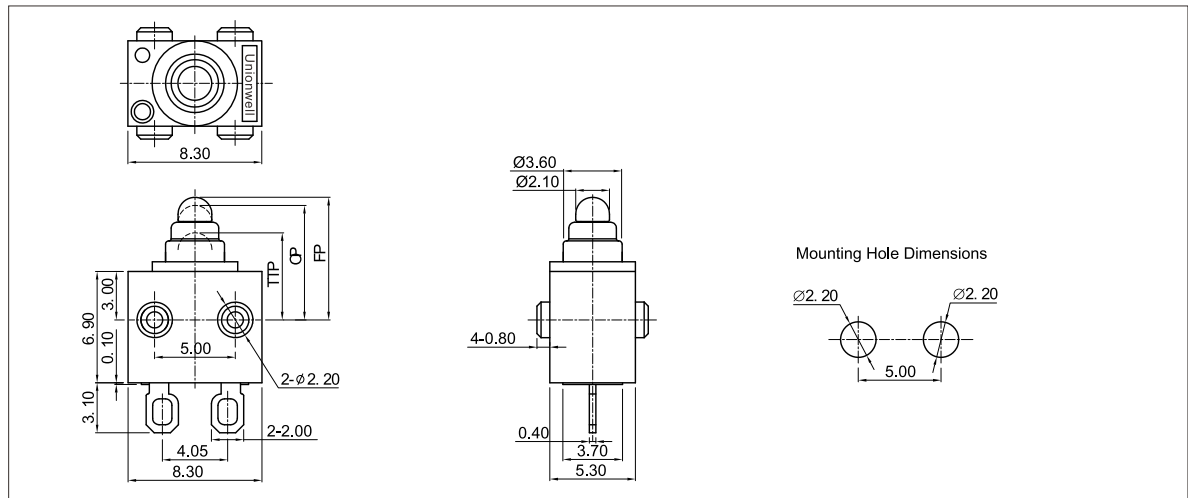
G3	04	150	U	00	E	39	Posts Dimension	G	A	280	Special Designator
Switch Type	Electrical Rating	Operating Force at pH Plunger Max.	Terminal Style	Lever Type	Circuit Code	Shape and Posts	Posts Dimension	AWG Type/For wire type only)	AWG Number/For wire type only)	Wires length	Special Designator
G3 Series - Micro Switch	04 0.1A, 120C 30VA, 300C	80 80gf Max	U Straight PCB Terminals	00 No lever Pin Plunger	E Slide Type SPST-NO	39 G type no post	F Standard posts: 2.60mmx5.0mm	No molded lead wires	No molded lead wires	300mm length standard lead wires 300mm	S Special code
	... Other	150 150gf Max	V Solder Terminals	... Other	F Slide Type SPST-NC	40 G type left posts	G $\phi 2.6 \times 1.5$ mm posts.	E 20#	A UL1007	280 280mm length	B Molded lead wires on left side
		... Other	M Short Solder Terminals		... Other	41 G type right posts	H $\phi 2.6 \times 2.0$ mm posts.	F 22#	C UL1430	... Other	C Molded lead wires on left side
			P Straight PCB Terminals			42 G type two sides posts	I $\phi 2.2 \times 0.8$ mm posts.	G 24#	D UL1061		E Molded lead wires on bottom
			S Short Solder Terminals with hole			43 G type lengthen two sides posts	K 7.3X1.2X1.2mm posts.	H 26#	E UL1330		... Other
			... Other			44 G type revers Left posts	... Other	I 26#	F AVSS		
						48 G type rectangle one sides posts		J 30#	H UL1332		
						... Other		K 32#	G UL3132		
								L 34#	... Other		
								... Other	... Other		

■Circuit

■Post direction define

SPST-NO	SPST-NC	
<p>The gasket is gray</p> <p>(Circuit)</p> <p>2 NO 1 COM</p>	<p>(Circuit)</p> <p>2 NO 1 COM</p>	<p>Left Right</p>

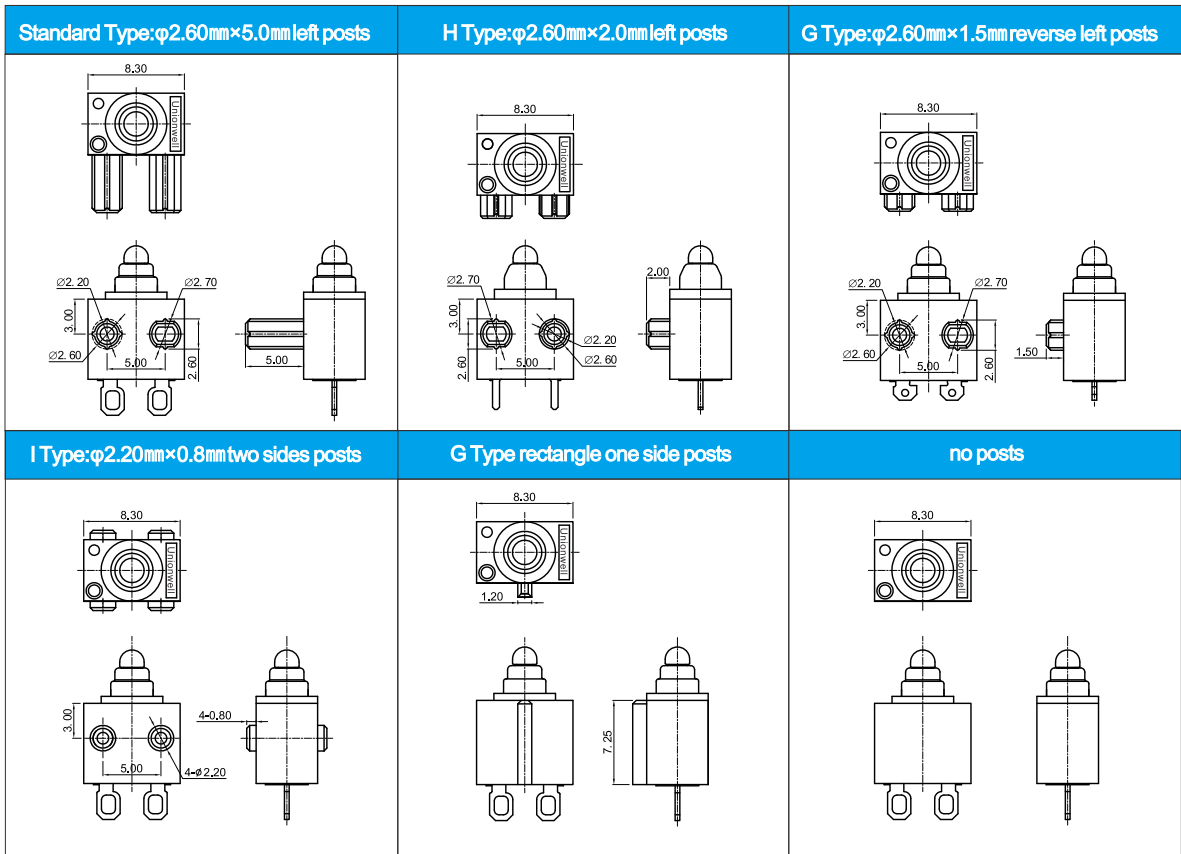
■Basic Mounting Dimensions and Operating Characteristics



■Switch Terminal Type(can be customized)

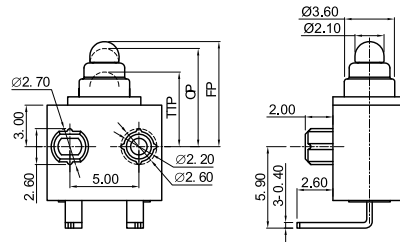
5#: Straight PCB Terminals	6#: Straight Left side PCB Terminals
<p>PCB Terminals Mounting Hole Dimensions</p> <p>3-ϕ1.35 to 1.5 Dia</p> <p>5.05</p>	<p>PCB Terminals Mounting Hole Dimensions</p> <p>3-ϕ1.35 to 1.5 Dia</p> <p>5.05</p>
6#: Solder Terminals	
<p>3-10, 4.05, 2-2.00, 2-0.40</p>	

■ Posts Type



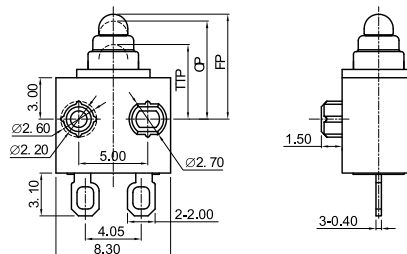
■ Dimensions and Operating Characteristics

◆ G304-150U00E40H



OF Max. (gf)	TTP Max. (mm)	FP Max. (mm)	OP (mm)
150	5.3	7.9	7.1±0.5

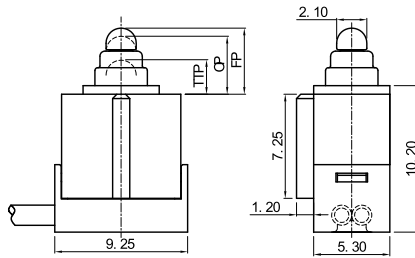
◆ G304-150V00F44G



OF Max. (gf)	TTP Max. (mm)	PT Max. (mm)	OP (mm)
150	5.3	7.9	7.1±0.5

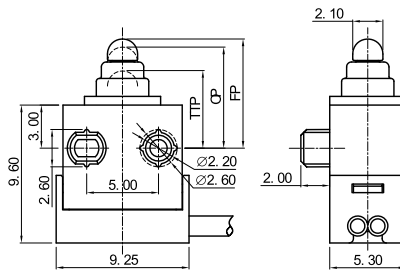
■ **Dimensions and Operating Characteristics**

◆ **G304-150M00E48-□□□□B**



OF Max. (gf)	TTP Max. (mm)	PT Max. (Mm)	OP (mm)
150	5.3	4.9	7.1±0.5

◆ **G304-150M00E40H-□□□□C**



OF Max. (gf)	TTP Max. (mm)	PT Max. (Mm)	OP (mm)
150	5.3	7.9	7.1±0.5